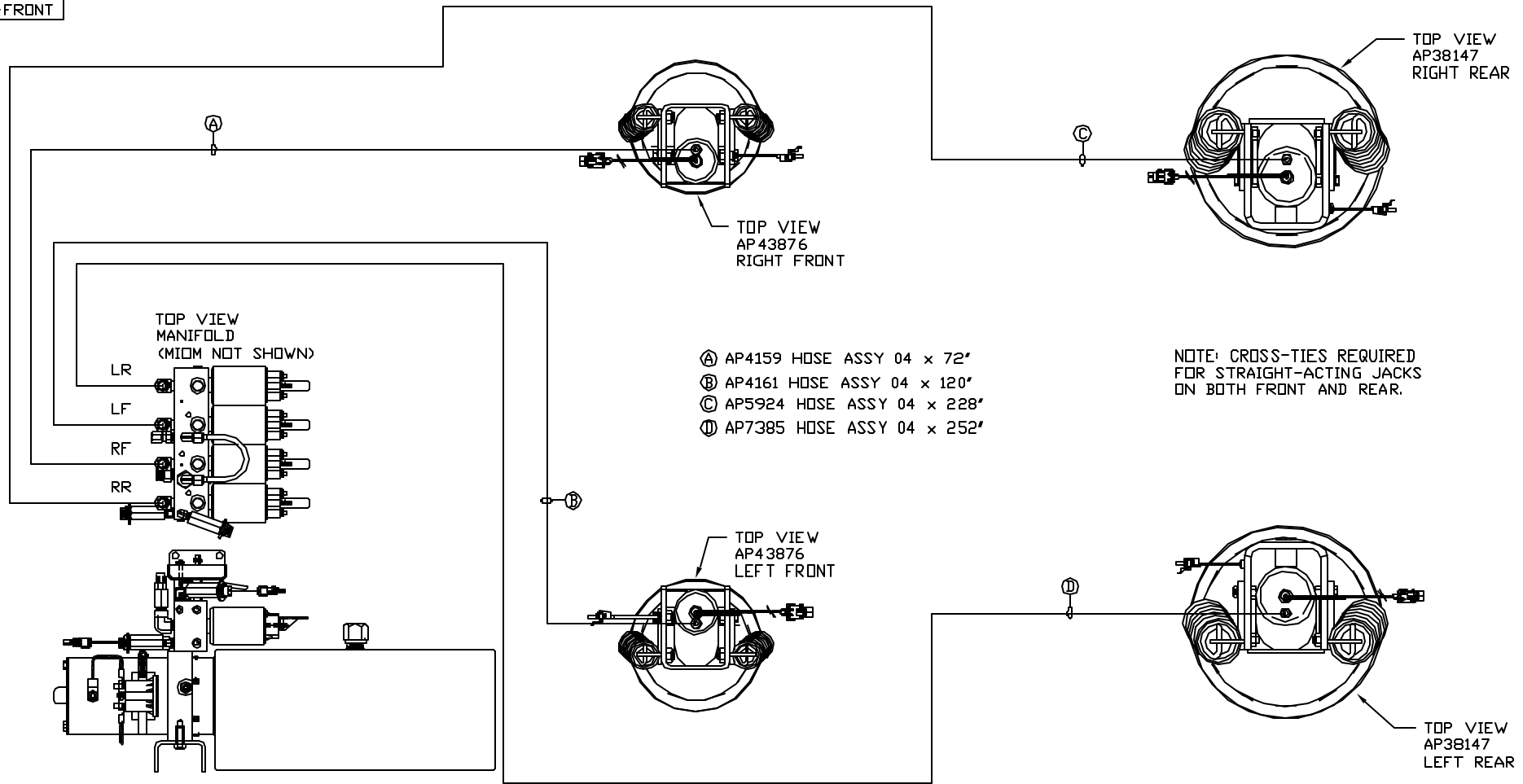
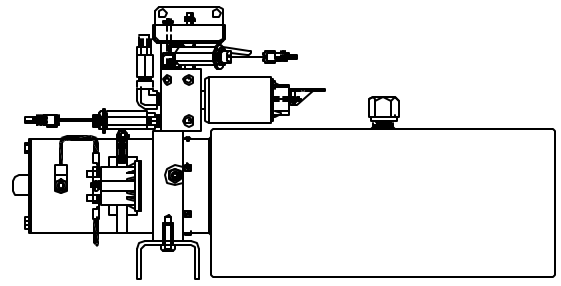
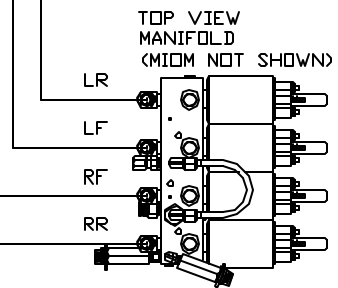


ORIENTATION
 FRONT



- Ⓐ AP4159 HOSE ASSY 04 x 72'
- Ⓑ AP4161 HOSE ASSY 04 x 120'
- Ⓒ AP5924 HOSE ASSY 04 x 228'
- Ⓓ AP7385 HOSE ASSY 04 x 252'

NOTE: CROSS-TIES REQUIRED FOR STRAIGHT-ACTING JACKS ON BOTH FRONT AND REAR.



SIDE VIEW PUMP/MANIFOLD-AP53746
 LOCATION AND ORIENTATION OF PUMP/MANIFOLD ASSEMBLY WILL DIFFER DEPENDING UPON O.E.M.

NOTE: INSTALLATION MUST CONFORM TO GOOD SHOP PRACTICES, SAE STANDARDS, RVIA STANDARDS, AND OTHER APPLICABLE STANDARDS. LEVELING SYSTEM: AP54751

		HWH		I-80 EXIT 267 SOUTH RT 1 MOSCOW, IOWA 52760	
		SCALE 1:6	DATE 26JAN15	DRAWN BY .	
△	14MAY15	CORRECTED TYPO			
NO.	DATE	REVISION			
HYD CONN DIAGRAM					
THE INFORMATION DISCLOSED ON THIS DRAWING IS CONFIDENTIAL AND MUST NOT BE DISCLOSED OR USED IN ANY MANNER WHICH WILL BE DETRIMENTAL TO THE HWH CORPORATION				PK VANS	
				DRAWING NUMBER MP70851 A/D	

*1: PART OF THE ROOM EXTENSION MECHANISM.

NOTE: HOSES (E) AND (F) ARE INCLUDED WITH THE ROOM EXTENSION MECHANISM.

(A) HOSE ASSY 04
PRESSURE

(B) .375" OD NYLON TUBING
RETURN

(C) HOSE ASSY 03
ROD END - ALWAYS PRESSURIZED -
HOSES MUST MAINTAIN EQUAL
LENGTH AND DIAMETER

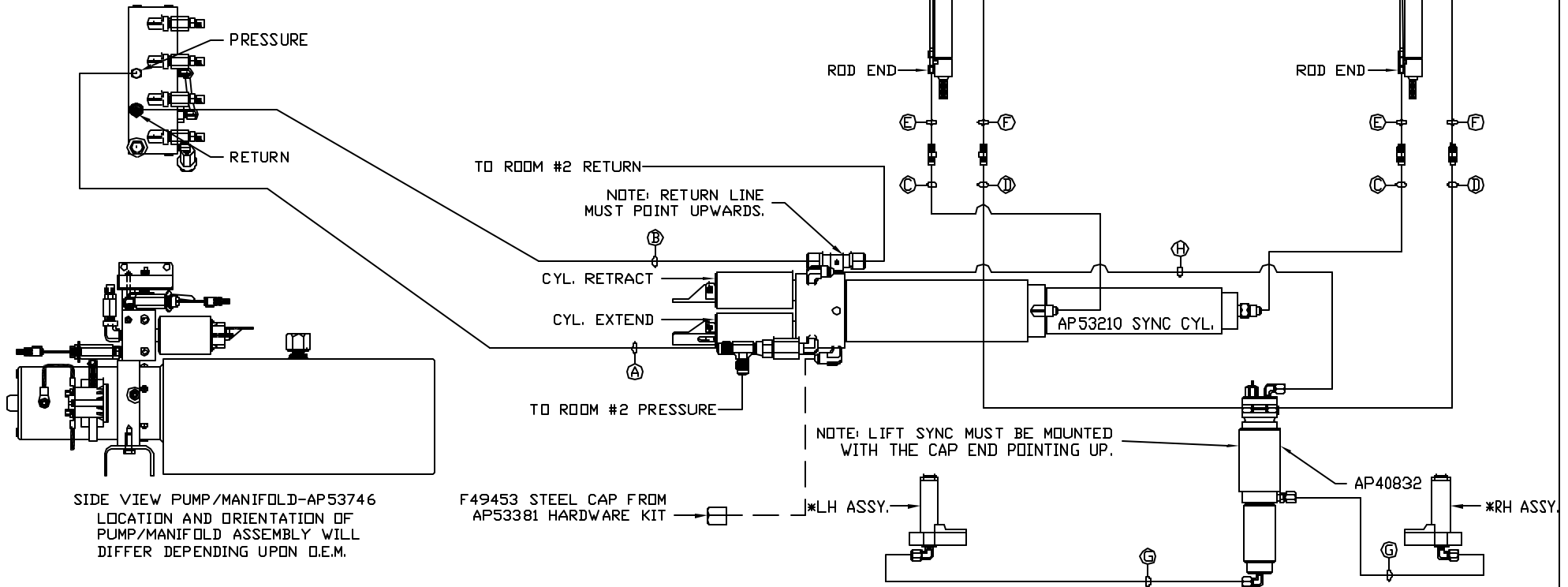
(D) HOSE ASSY 04
CAP END - HOSES MUST MAINTAIN
EQUAL LENGTH AND DIAMETER

(E) AP24632 HOSE ASSY HWH02HP X 48"
ROD END - ALWAYS PRESSURIZED -
HOSES MUST MAINTAIN EQUAL
LENGTH AND DIAMETER

(F) AP24818 HOSE ASSY HWH02HP X 86"
CAP END - MUST MAINTAIN EQUAL
LENGTH AND DIAMETER

(G) HOSE ASSY 03
CAP END - HOSES MUST MAINTAIN
EQUAL LENGTH AND DIAMETER

(H) HOSE ASSY 04
CAP END



SIDE VIEW PUMP/MANIFOLD-AP53746
LOCATION AND ORIENTATION OF
PUMP/MANIFOLD ASSEMBLY WILL
DIFFER DEPENDING UPON O.E.M.

F49453 STEEL CAP FROM
AP53381 HARDWARE KIT

NOTE: LIFT SYNC MUST BE MOUNTED
WITH THE CAP END POINTING UP.

NOTE: INSTALLATION MUST CONFORM TO GOOD SHOP PRACTICES, SAE
STANDARDS, RVIA STANDARDS, AND OTHER APPLICABLE STANDARDS.

MP70851 B/D
26JAN15

*1: PART OF THE ROOM EXTENSION MECHANISM.

NOTE: HOSES (E) AND (F) ARE INCLUDED WITH THE ROOM EXTENSION MECHANISM.

(A) HOSE ASSY 04
PRESSURE

(B) .375" OD NYLON TUBING
RETURN

(C) HOSE ASSY 03
ROD END - ALWAYS PRESSURIZED -
HOSES MUST MAINTAIN EQUAL
LENGTH AND DIAMETER

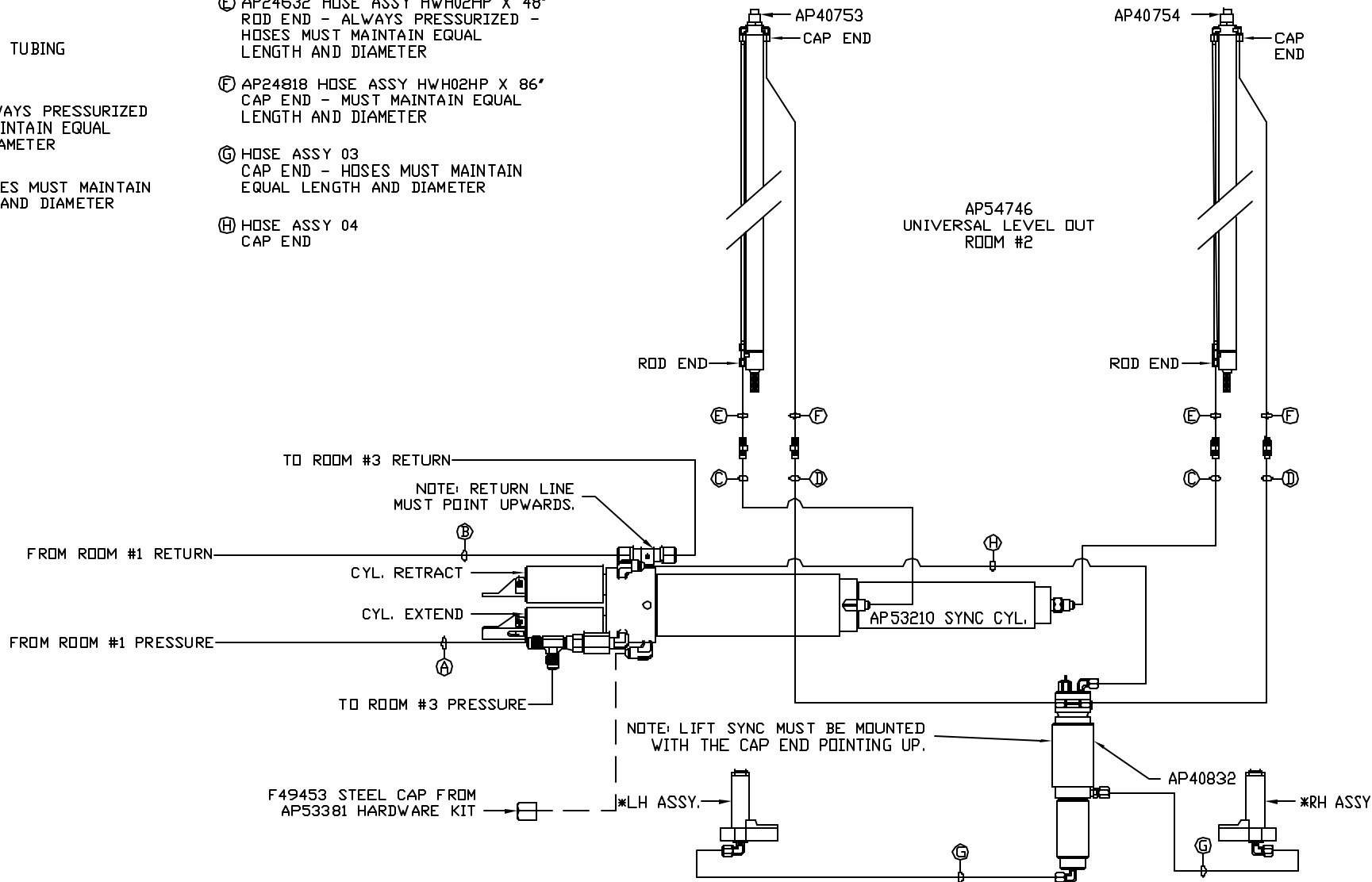
(D) HOSE ASSY 04
CAP END - HOSES MUST MAINTAIN
EQUAL LENGTH AND DIAMETER

(E) AP24632 HOSE ASSY HWH02HP X 48"
ROD END - ALWAYS PRESSURIZED -
HOSES MUST MAINTAIN EQUAL
LENGTH AND DIAMETER

(F) AP24818 HOSE ASSY HWH02HP X 86"
CAP END - MUST MAINTAIN EQUAL
LENGTH AND DIAMETER

(G) HOSE ASSY 03
CAP END - HOSES MUST MAINTAIN
EQUAL LENGTH AND DIAMETER

(H) HOSE ASSY 04
CAP END



NOTE: INSTALLATION MUST CONFORM TO GOOD SHOP PRACTICES, SAE STANDARDS, RVIA STANDARDS, AND OTHER APPLICABLE STANDARDS.

MP70851 C/D
26JAN15

*I: PART OF THE ROOM EXTENSION MECHANISM.

NOTE: HOSES (E) AND (F) ARE INCLUDED WITH THE ROOM EXTENSION MECHANISM.

(A) HOSE ASSY 04
PRESSURE

(B) .375" OD NYLON TUBING
RETURN

(C) HOSE ASSY 03
ROD END - ALWAYS PRESSURIZED
HOSES MUST MAINTAIN EQUAL
LENGTH AND DIAMETER

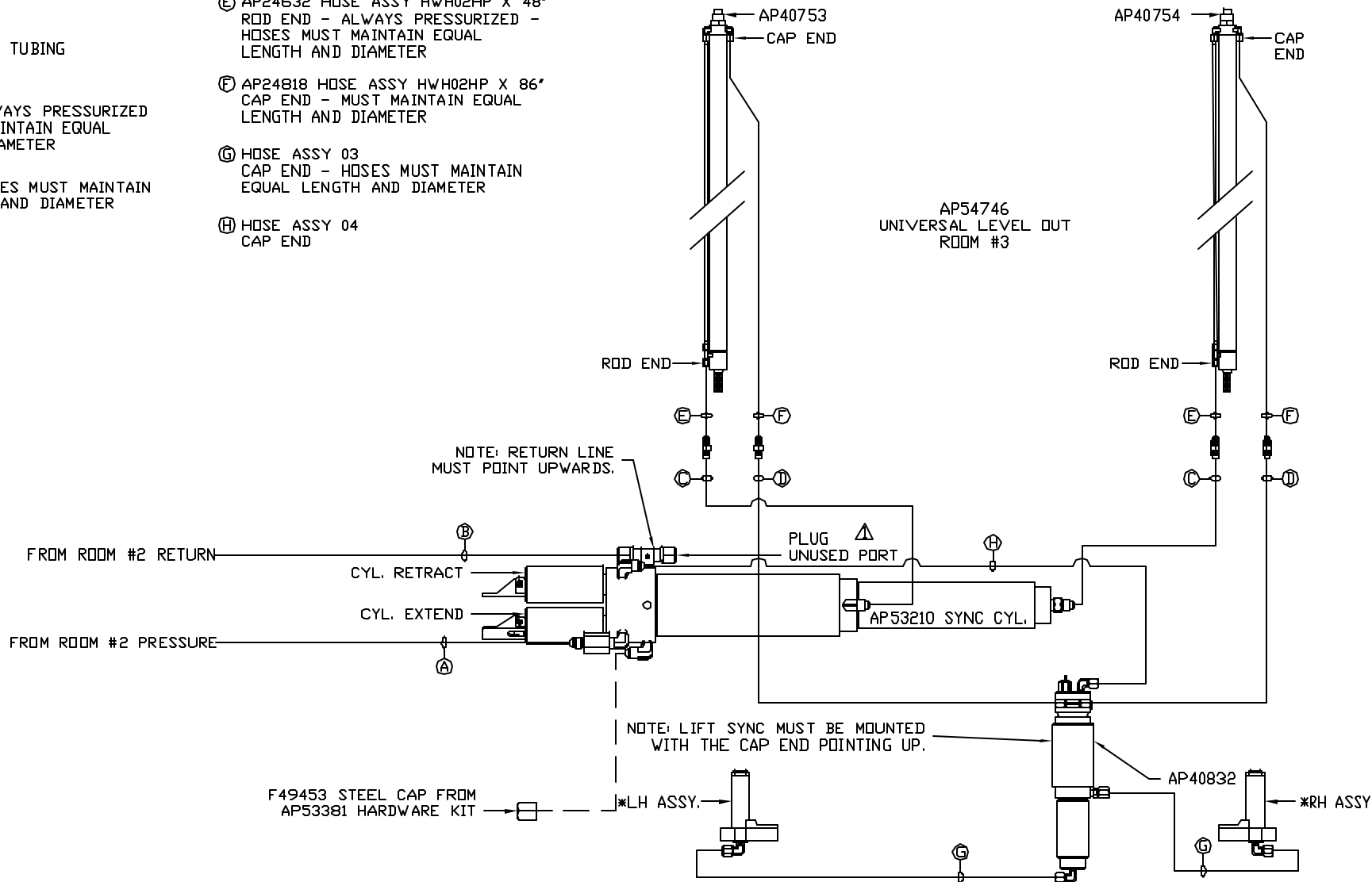
(D) HOSE ASSY 04
CAP END - HOSES MUST MAINTAIN
EQUAL LENGTH AND DIAMETER

(E) AP24632 HOSE ASSY HWH02HP X 48"
ROD END - ALWAYS PRESSURIZED -
HOSES MUST MAINTAIN EQUAL
LENGTH AND DIAMETER

(F) AP24818 HOSE ASSY HWH02HP X 86"
CAP END - MUST MAINTAIN EQUAL
LENGTH AND DIAMETER

(G) HOSE ASSY 03
CAP END - HOSES MUST MAINTAIN
EQUAL LENGTH AND DIAMETER

(H) HOSE ASSY 04
CAP END



NOTE: INSTALLATION MUST CONFORM TO GOOD SHOP PRACTICES, SAE STANDARDS, RVIA STANDARDS, AND OTHER APPLICABLE STANDARDS.

MP70851 D/D
14MAY15