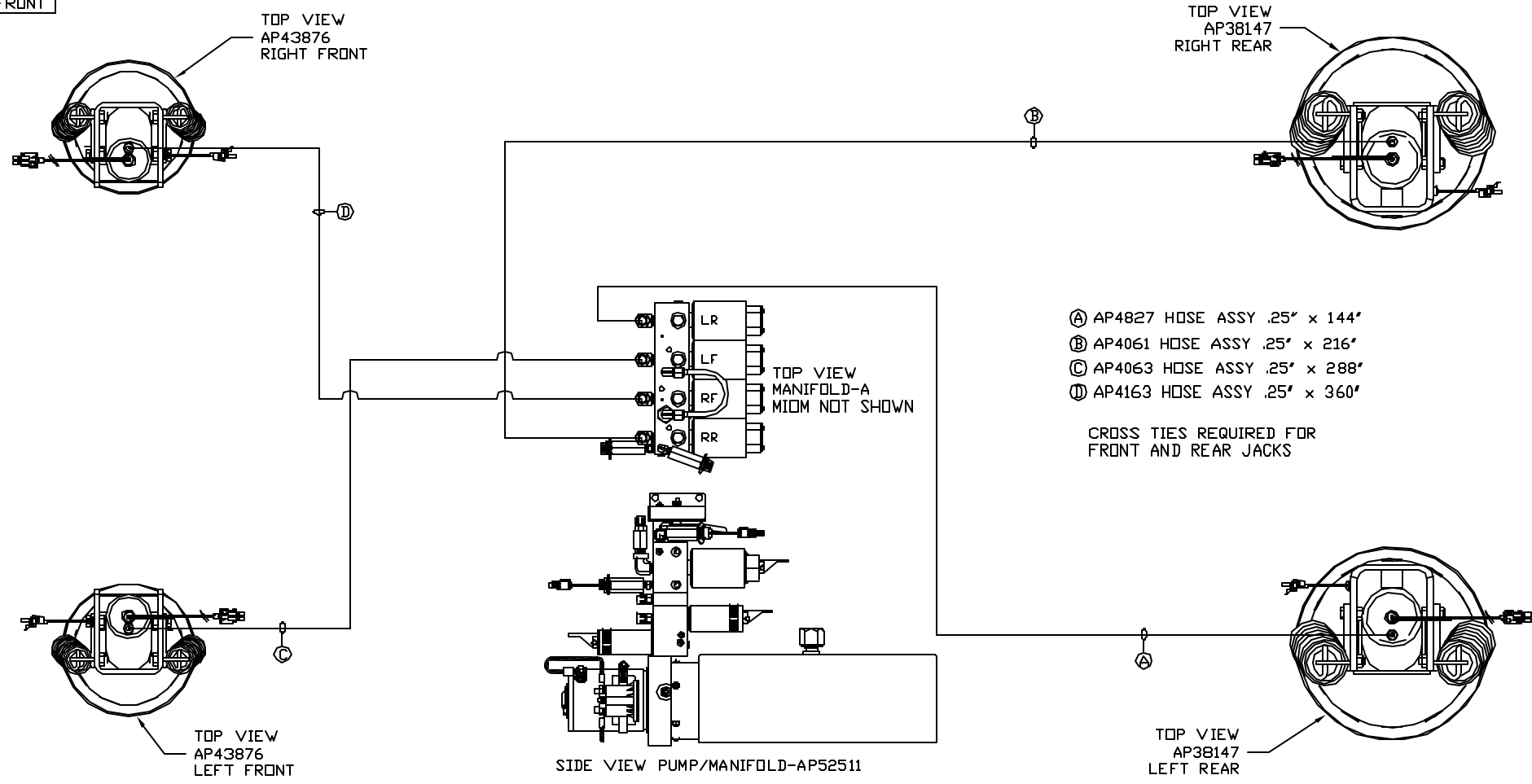


ORIENTATION  
 — FRONT



NOTE: INSTALLATION MUST CONFORM TO GOOD SHOP PRACTICES, SAE STANDARDS, RVIA STANDARDS, AND OTHER APPLICABLE STANDARDS.

LEVELING SYSTEM: AP52448

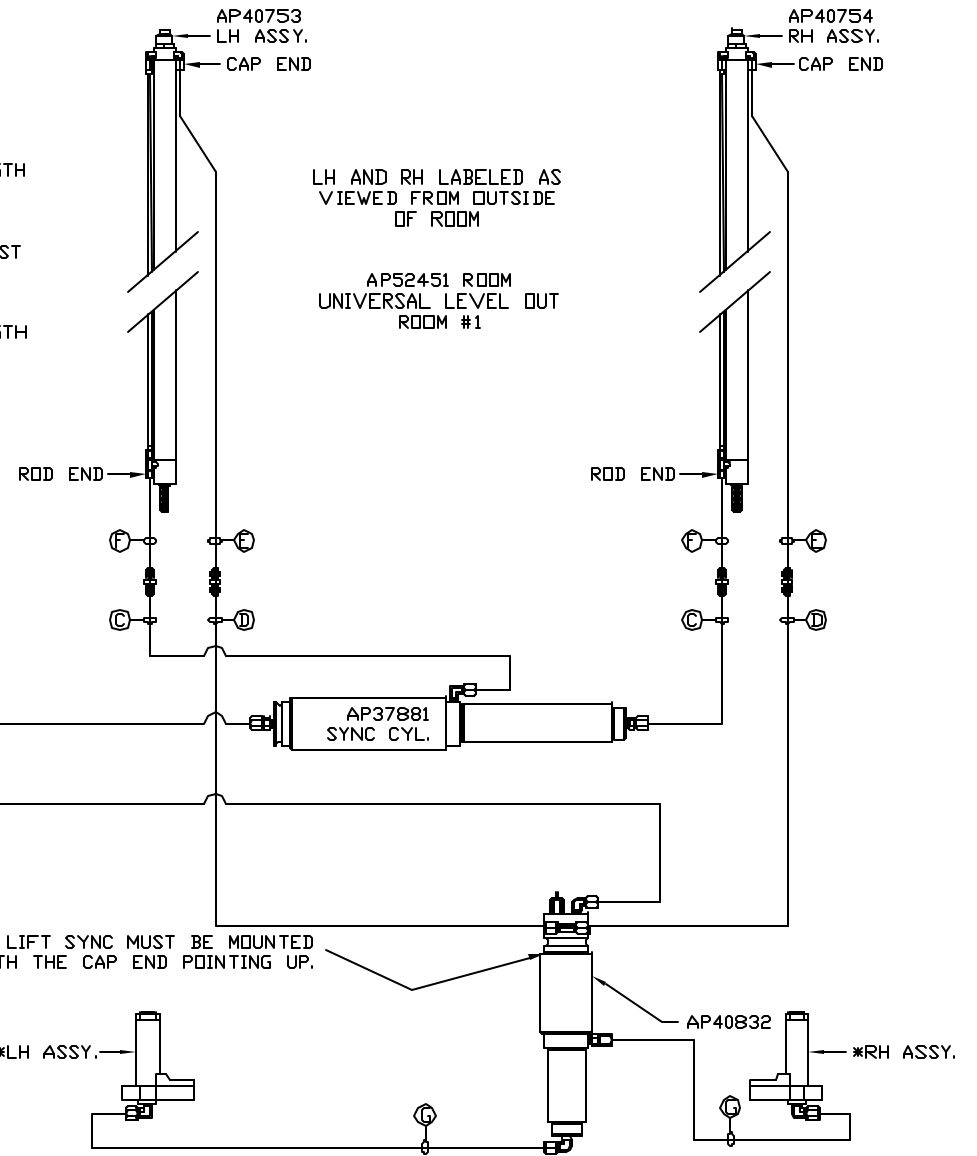
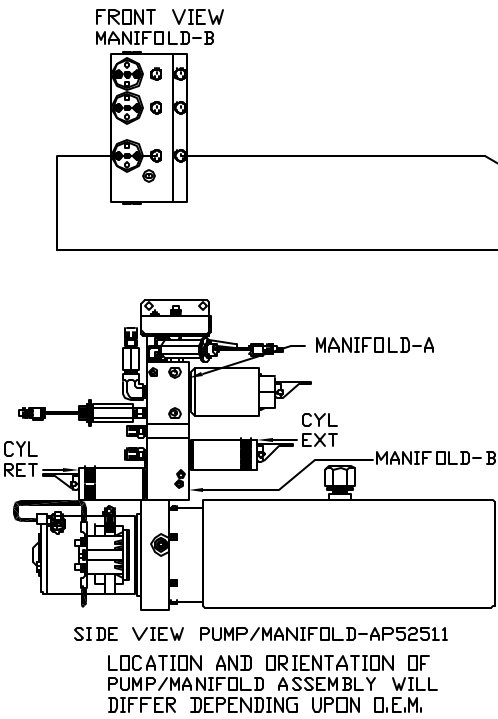
		HWH		I-80 EXIT 267 SOUTH	
				RT 1 MOSCOW, IOWA 52760	
		SCALE 1:6	DATE 11DEC13	DRAWN BY .	
		HYD CONN DIAGRAM			
NO.	DATE	REVISION			
		THE INFORMATION DISCLOSED ON THIS DRAWING IS CONFIDENTIAL AND MUST NOT BE DISCLOSED OR USED IN ANY MANNER WHICH WILL BE DETRIMENTAL TO THE HWH CORPORATION			
			PK VANS		DRAWING NUMBER MP70737 A/D

\*: PART OF THE ROOM  
EXTENSION MECHANISM.

- Ⓐ .25" ID HOSE  
ROD END - ALWAYS PRESSURIZED
- Ⓑ .25" ID HOSE  
CAP END
- Ⓒ .125" ID DR 03 HOSE  
ROD END - ALWAYS PRESSURIZED - MUST  
MAINTAIN EQUAL LENGTH AND DIAMETER
- Ⓓ .25" ID HOSE  
CAP END - MUST MAINTAIN EQUAL LENGTH  
AND DIAMETER

NOTE: ITMES Ⓒ AND Ⓓ ARE INCLUDED  
WITH THE ROOM EXTENSION MECHANISM.

- Ⓔ AP24818 HOSE ASSY HWH02HP x 86"  
CAP END - MUST MAINTAIN EQUAL LENGTH  
AND DIAMETER
- Ⓕ AP24632 HOSE ASSY HWH02HP x 48"  
ROD END - ALWAYS PRESSURIZED - MUST  
MAINTAIN EQUAL LENGTH AND DIAMETER
- Ⓖ .125" ID DR 03 HOSE  
CAP END - MUST MAINTAIN EQUAL LENGTH  
AND DIAMETER



NOTE: INSTALLATION MUST CONFORM TO GOOD SHOP PRACTICES, SAE  
STANDARDS, RVIA STANDARDS, AND OTHER APPLICABLE STANDARDS.

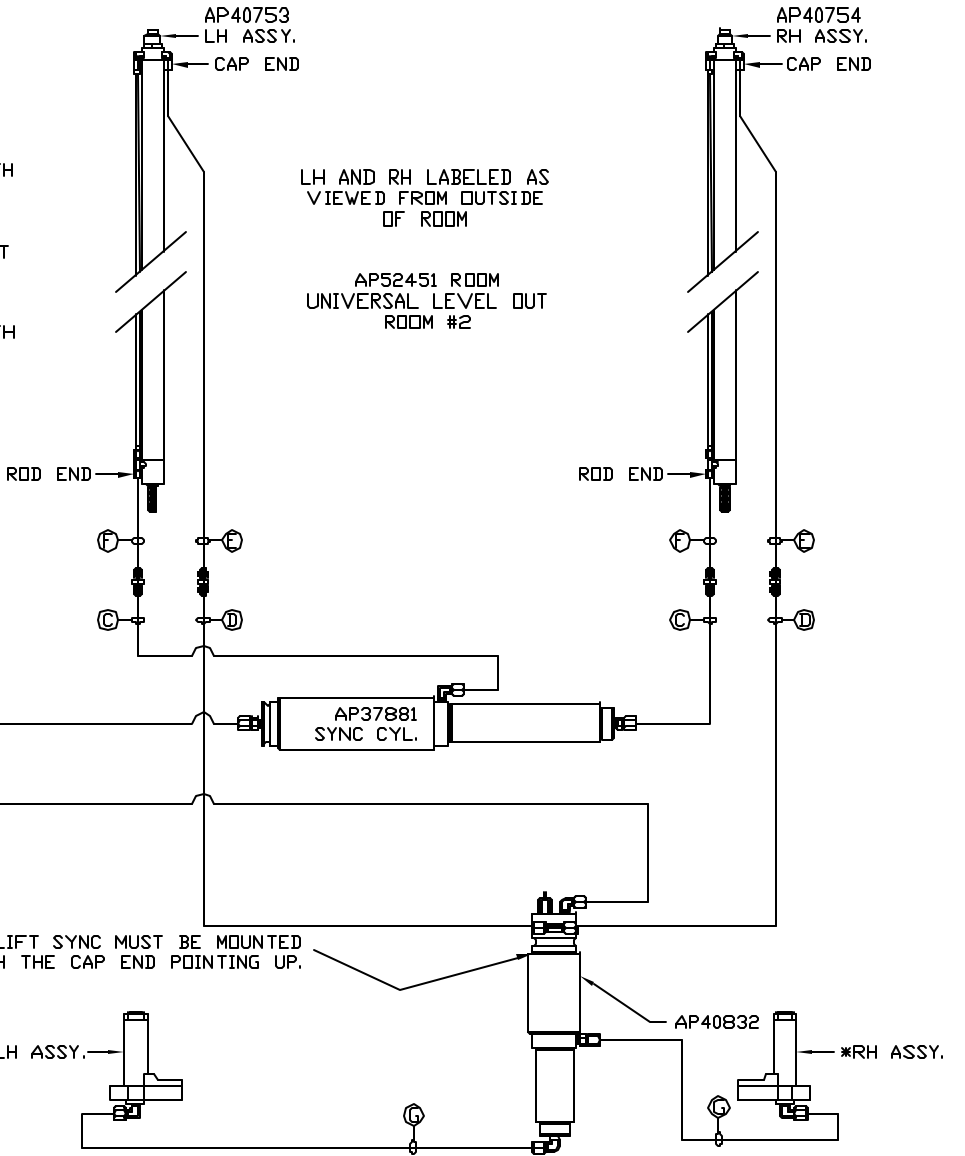
MP70737 B/D  
11DEC13

\*: PART OF THE ROOM  
EXTENSION MECHANISM.

- Ⓐ .25" ID HOSE  
ROD END - ALWAYS PRESSURIZED
- Ⓑ .25" ID HOSE  
CAP END
- Ⓒ .125" ID DR 03 HOSE  
ROD END - ALWAYS PRESSURIZED - MUST  
MAINTAIN EQUAL LENGTH AND DIAMETER
- Ⓓ .25" ID HOSE  
CAP END - MUST MAINTAIN EQUAL LENGTH  
AND DIAMETER

NOTE: ITMES Ⓒ AND Ⓓ ARE INCLUDED  
WITH THE ROOM EXTENSION MECHANISM.

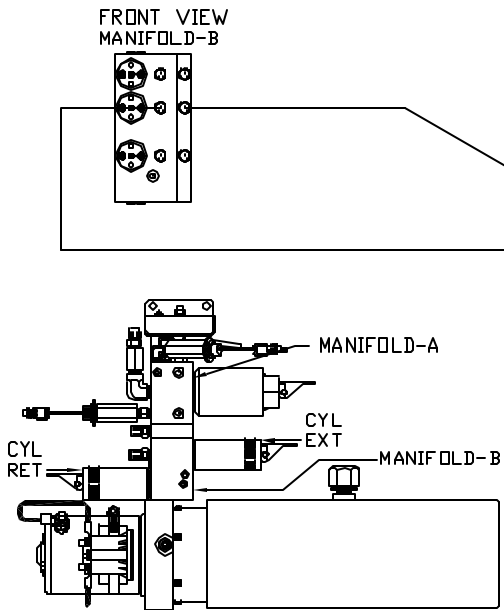
- Ⓔ AP24818 HOSE ASSY HWH02HP x 86"  
CAP END - MUST MAINTAIN EQUAL LENGTH  
AND DIAMETER
- Ⓕ AP24632 HOSE ASSY HWH02HP x 48"  
ROD END - ALWAYS PRESSURIZED - MUST  
MAINTAIN EQUAL LENGTH AND DIAMETER
- Ⓖ .125" ID DR 03 HOSE  
CAP END - MUST MAINTAIN EQUAL LENGTH  
AND DIAMETER



LH AND RH LABELED AS  
VIEWED FROM OUTSIDE  
OF ROOM

AP52451 ROOM  
UNIVERSAL LEVEL OUT  
ROOM #2

NOTE: LIFT SYNC MUST BE MOUNTED  
WITH THE CAP END POINTING UP.



SIDE VIEW PUMP/MANIFOLD-AP52511  
LOCATION AND ORIENTATION OF  
PUMP/MANIFOLD ASSEMBLY WILL  
DIFFER DEPENDING UPON O.E.M.

NOTE: INSTALLATION MUST CONFORM TO GOOD SHOP PRACTICES, SAE  
STANDARDS, RVIA STANDARDS, AND OTHER APPLICABLE STANDARDS.

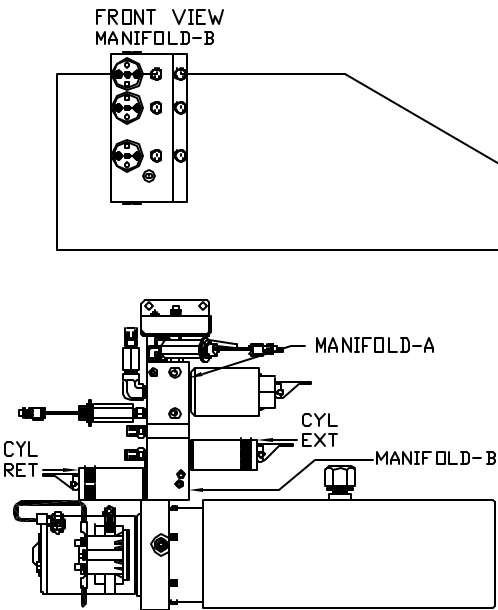
MP70737 C/D  
11DEC13

\*: PART OF THE ROOM  
EXTENSION MECHANISM.

- Ⓐ .25" ID HOSE  
ROD END - ALWAYS PRESSURIZED
- Ⓑ .25" ID HOSE  
CAP END
- Ⓒ .125" ID DR 03 HOSE  
ROD END - ALWAYS PRESSURIZED - MUST  
MAINTAIN EQUAL LENGTH AND DIAMETER
- Ⓓ .25" ID HOSE  
CAP END - MUST MAINTAIN EQUAL LENGTH  
AND DIAMETER

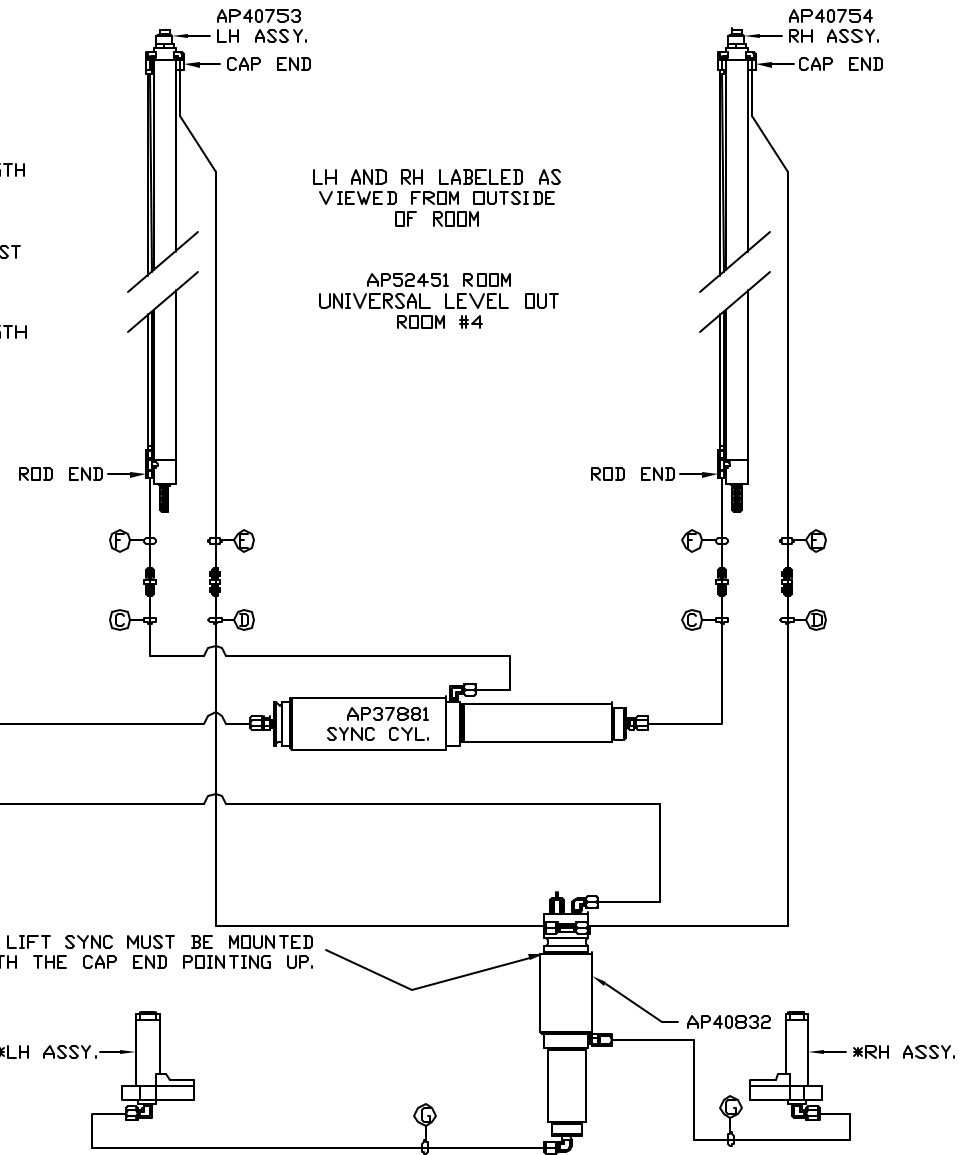
NOTE: ITEMS Ⓒ AND Ⓓ ARE INCLUDED  
WITH THE ROOM EXTENSION MECHANISM.

- Ⓔ AP24818 HOSE ASSY HWH02HP x 86"  
CAP END - MUST MAINTAIN EQUAL LENGTH  
AND DIAMETER
- Ⓕ AP24632 HOSE ASSY HWH02HP x 48"  
ROD END - ALWAYS PRESSURIZED - MUST  
MAINTAIN EQUAL LENGTH AND DIAMETER
- Ⓖ .125" ID DR 03 HOSE  
CAP END - MUST MAINTAIN EQUAL LENGTH  
AND DIAMETER



SIDE VIEW PUMP/MANIFOLD-AP52511  
LOCATION AND ORIENTATION OF  
PUMP/MANIFOLD ASSEMBLY WILL  
DIFFER DEPENDING UPON O.E.M.

NOTE: INSTALLATION MUST CONFORM TO GOOD SHOP PRACTICES, SAE  
STANDARDS, RVIA STANDARDS, AND OTHER APPLICABLE STANDARDS.



LH AND RH LABELED AS  
VIEWED FROM OUTSIDE  
OF ROOM

AP52451 ROOM  
UNIVERSAL LEVEL OUT  
ROOM #4

NOTE: LIFT SYNC MUST BE MOUNTED  
WITH THE CAP END POINTING UP.