

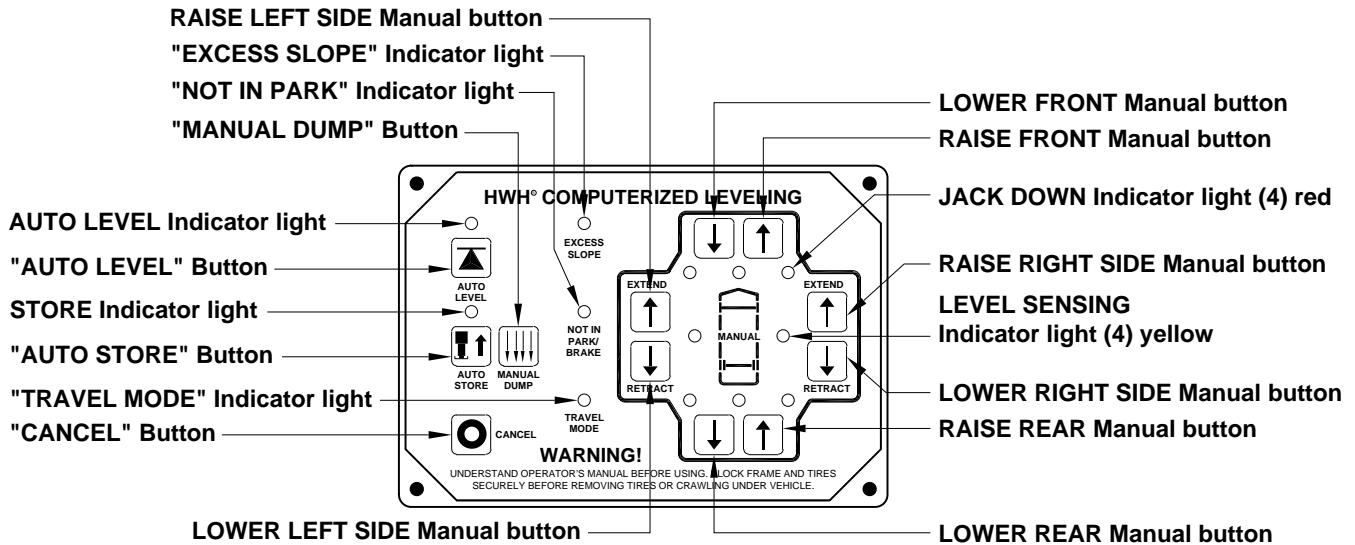
PERFORMANCE CHECK LIST

625 SERIES, LEVELEZE® SINGLE-STEP COMPUTER-CONTROLLED HYDRAULIC LEVELING SYSTEM

MANUFACTURER _____ TYPE _____ DATE _____

VEHICLE ID# _____ INSPECTOR _____

WARNING: DO NOT OPERATE THIS SYSTEM UNLESS FULLY INSTRUCTED ON SYSTEM SAFETY PROCEDURES.



OK REWORK

1. CHECK JACK CLEARANCE:

- a. Make sure jacks will not interfere or "hang up" on suspension or other coach equipment. If questionable, turn front tires stop to stop to make sure front jacks cannot rub tires.
- b. Make sure there is proper ground clearance between the foot of the jack and the ground. Coaches with a spring suspension have a suggested ground clearance of 7 to 8 inches. Coaches with an air suspension have a suggested ground clearance of 7 to 8 inches with the air bags empty.
- c. Make sure jack retract springs do not rub on compartments. **[COMMENTS]**

<input type="checkbox"/>	<input type="checkbox"/>
--------------------------	--------------------------

2. POWER CHECK. WITH THE IGNITION OFF AND THE PARK BRAKE SET, PUSH ANY MANUAL UP OR DOWN BUTTON. NOTHING SHOULD HAPPEN. NO PANEL INDICATOR LIGHTS SHOULD BE ON. [COMMENTS]

<input type="checkbox"/>	<input type="checkbox"/>
--------------------------	--------------------------

3. PARK BRAKE CHECK:

WARNING: CHOCK WHEELS SO COACH CANNOT ROLL DURING THIS TEST.

- a. Make sure the park brake is set.
- b. Turn the ignition on.
- c. Push the "STORE" button. The STORE light will flash.
- d. Release the park brake. The "NOT IN PARK/BRAKE" light should come on.
The STORE light will continue to flash.
- e. Set the park brake again. The "NOT IN PARK/BRAKE" light should go out.
The STORE light will continue to flash.
- f. Push the "CANCEL" button.

[COMMENTS]

4. AIR DUMP/TRAVEL CHECK (IF APPLICABLE):

- a. The coach should be at the proper ride height.
- b. Make sure the park brake is set and the ignition is in the ACC. position.
- c. Push the "DUMP" button. The suspension air bags should deflate. When the air has stopped exhausting, check that all air bags have completely deflated.
- d. Start the coach engine.
- e. Push the "STORE" button. The STORE light will start to flash. The coach suspension should start to return to ride height. Check that all air bags have inflated and the coach is at the proper ride height.
- f. Repeat steps a, b, c and d.
- g. Release the park brake for several seconds then reset the park brake. The suspension should return to ride height. Check that all air bags have inflated and the coach is at the proper ride height.

[COMMENTS]

5. MANUAL OPERATION:

- a. Make sure the park brake is set and turn the ignition to ACC.
- b. Push the "DUMP" button and allow the air bags to deflate if applicable.
- c. Push the front UP arrow. Extend the jacks about one inch. The two front red warning lights should come on. Continue to extend the front jacks until they lift the coach several inches. Visually check that the correct jacks are operating.
- d. Push and hold the front DOWN arrow. The two front jacks should fully retract. The two front warning lights should go out.
- e. Repeat steps c and d with the rear UP and DOWN arrows, the left side UP and DOWN arrows and the right side UP and DOWN arrows.

[COMMENTS]

6. SENSING UNIT CHECK-COACH SHOULD BE ON A LEVEL SURFACE WITH ALL YELLOW LEVEL INDICATOR LIGHTS OFF:

- a. Make sure the park brake is set and the ignition is in the ACC. position. Dump the air from the air bags.
- b. Push and hold the front UP arrow and raise the front of the vehicle until the rear yellow level light comes on. Push and hold the front DOWN arrow and retract the front jacks. The rear level light should go out.
- c. Repeat this with the rear, left side and right side. When raising one side or end of the coach the opposite yellow level indicator light should come on.

[COMMENTS]

7. SENSING UNIT ADJUSTMENT CHECK:

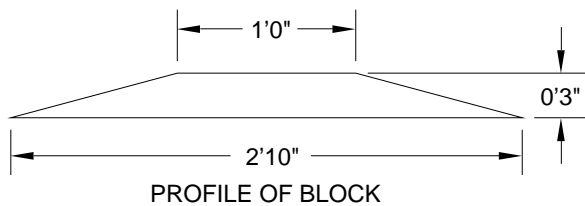
- a. Use the manual UP arrows to level the coach according to the coach trim line or by using a round bubble level placed on a flat surface as close to the sensing unit mounting location as possible.
- b. Check that all yellow level lights are off and adjust sensing unit if necessary.

[COMMENTS]

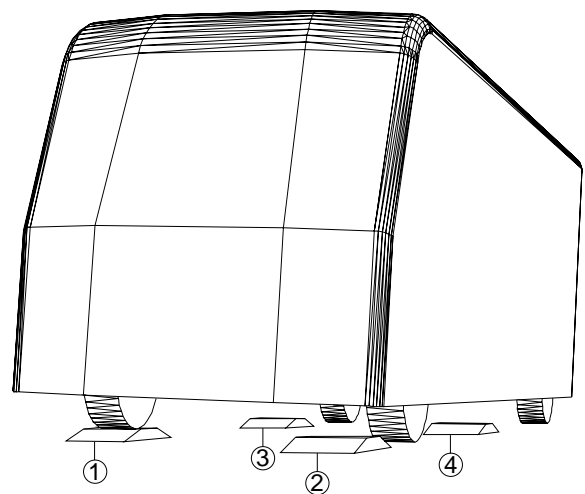
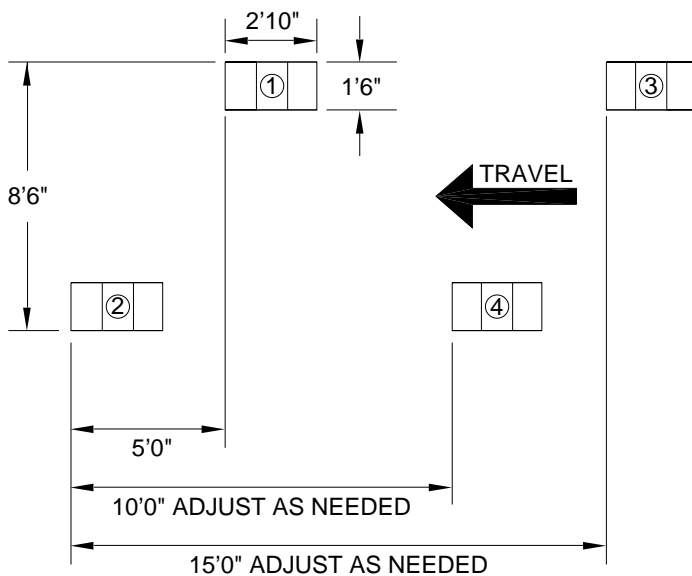
8. AUTOMATIC LEVELING CHECK:

- a. Place the right front tire on block 1 as shown.
- b. Make sure the park brake is set, the ignition is in the ACC. position and the vehicle is at the proper ride height if applicable.
- c. Push the AUTO LEVEL button one time. The AUTO LEVEL light should start to flash.
- d. If the vehicle has an air suspension, the air will dump for approximately 25 seconds.
- e. The jacks should start to extend in pairs to turn out the level lights. The proper red warning lights should come on. After all level lights are out, the remaining jacks should extend to the ground to stabilize the coach. Jacks that extend to stabilize the coach should lift the coach at least 3/4 inch.

NOTE: A YELLOW LEVEL LIGHT MAY BE ON AFTER LEVELING IS COMPLETE. THE COACH SHOULD STILL BE LEVEL WITHIN THE TOLERANCE OF THE SENSING UNIT WHEN CHECKING WITH A BUBBLE LEVEL OR BY THE COACH TRIM LINE. THE COACH SHOULD BE WITHIN 3" ABOVE OR BELOW THE TRIM LINE FRONT TO REAR AND WITHIN 3/4" ABOVE OR BELOW THE TRIM LINE SIDE TO SIDE OR AT LEAST 1/2 OF THE BUBBLE SHOULD BE IN THE BULLS EYE.
[COMMENTS]



NOTE: THE FOLLOWING DIAGRAM MAY NOT WORK FOR ALL COACHES. MOVE RAMP LOCATIONS AS NECESSARY TO ACCOMMODATE COACHES WITH DIFFERENT WHEEL BASES.



9. AUTOMATIC STORE CHECK. PERFORM THIS TEST AFTER DOING THE AUTO LEVEL CHECK:

- a. Make sure the park brake is set and the ignition is in the ON or ACC. position.

NOTE: IF THE COACH HAS AN AIR SUSPENSION, START THE ENGINE.

- b. Push the "STORE" button. The STORE light will start to flash. The front jacks will retract for five seconds before the rear jacks start to retract. The coach should start to return to ride height. As each jack is within approximately 1 inch of being fully retracted, its red warning light on the touch panel will go out.
- c. Six minutes after the last red warning light goes out, the STORE light will turn off.

[COMMENTS]

10. MASTER WARNING LIGHT AND BUZZER CHECK:

- a. If this has not been checked in previous steps, turn the ignition on with the park brake set. Push any UP arrow until a red warning light comes on. The master warning light and buzzer should come on at this time. Push the corresponding DOWN arrow. When the red warning lights go out, the master warning light and buzzer should go out.

[COMMENTS]

11. OIL LEVEL CHECK:

- a. The oil level should be checked with the jacks fully retracted. Any USO room extension should be fully extended. Any single cylinder or in-floor room extension should be fully retracted. The oil level should be one (1) inch below the top of the fill hole.

[COMMENTS]