



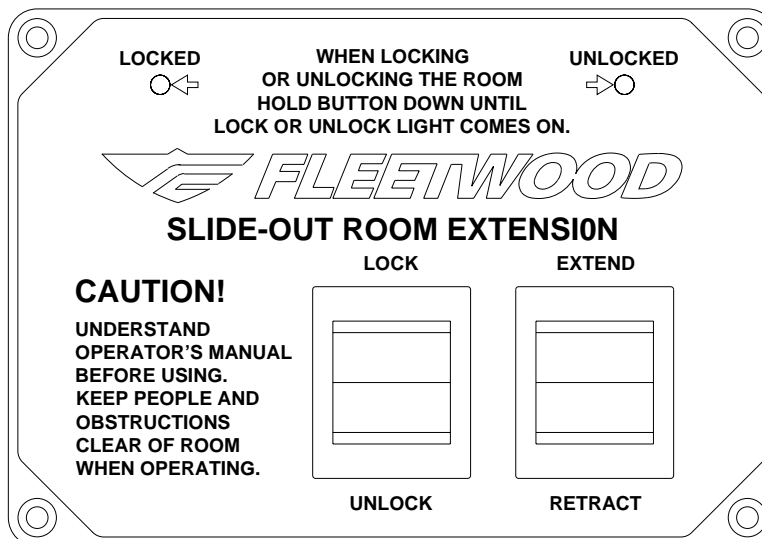
## MANUAL TRAVEL CLAMPS FLEETWOOD

### FEATURING:

*Two Rocker Switch Control Panel*

*Single Clamp*

*No HWH Rooms or Leveling System*



### HWH CORPORATION

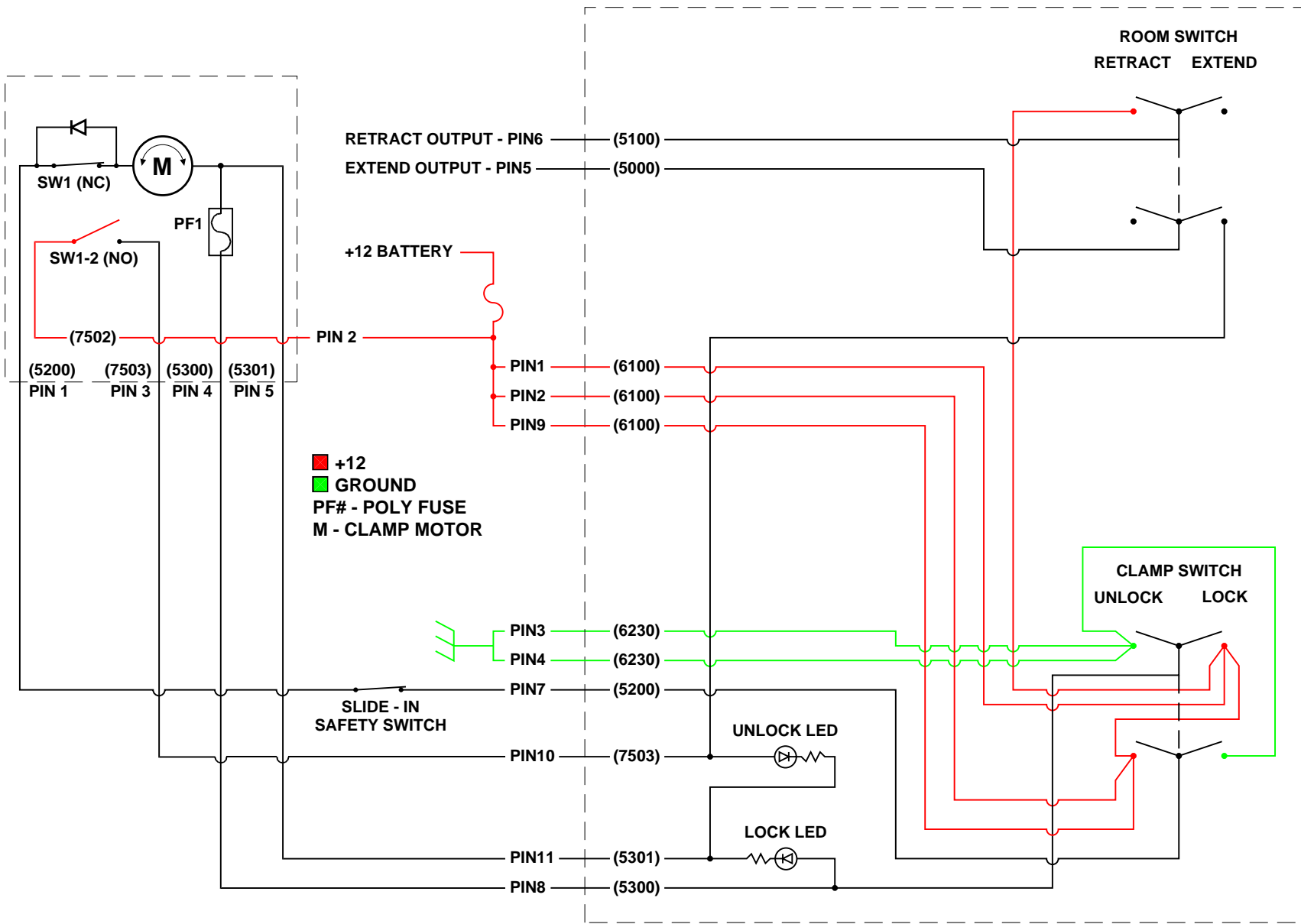
(On I-80, Exit 267 South)

2096 Moscow Road | Moscow, Iowa 52760

Ph: 800/321-3494 (or) 563/724-3396 | Fax: 563/724-3408

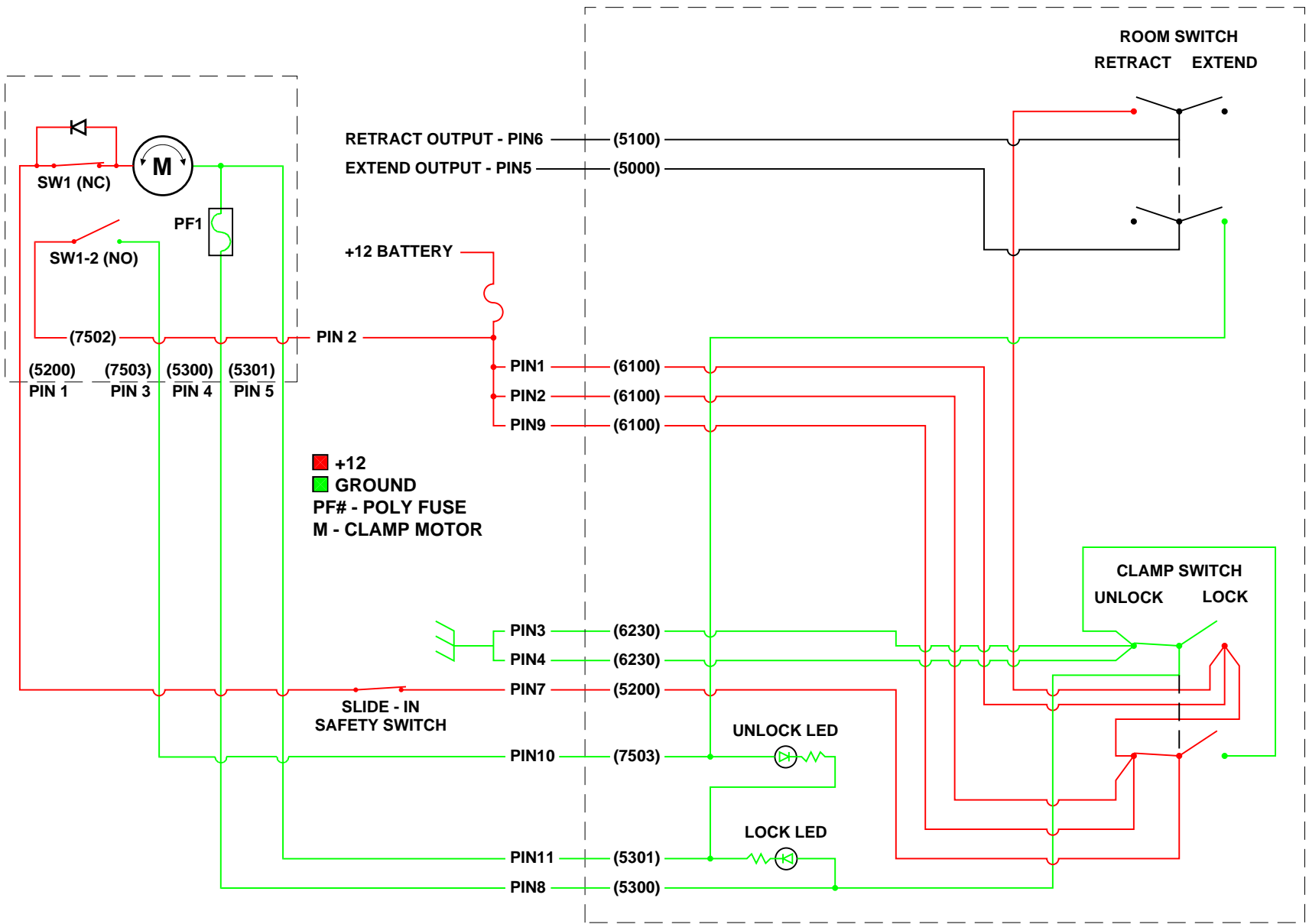
[www.hwh.com](http://www.hwh.com)

**ROOM RETRACTED**  
**CLAMP EXTENDED**  
**CONTROL SWITCHES IN NEUTRAL POSITION**



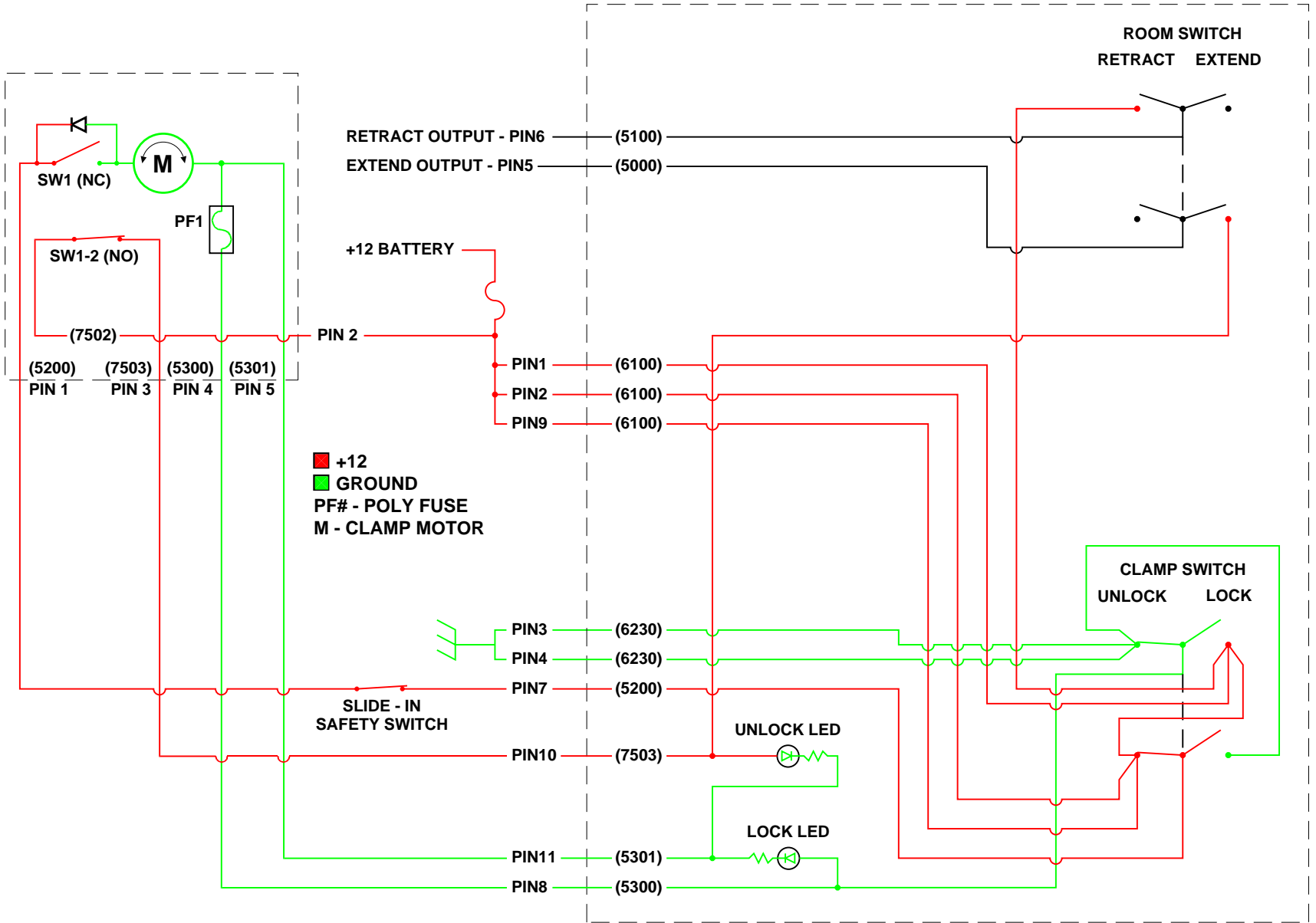
**SW1 CLOSED UNTIL CLAMP IS FULLY RETRACTED**  
**SW1-2 OPEN UNTIL CLAMP IS FULLY RETRACTED**  
**SLIDE - IN SWITCH CLOSED WITH ROOM FULLY RETRACTED**

**ROOM RETRACTED**  
**CLAMP SWITCH PUSHED TO "UNLOCK"**  
**CLAMP RETRACTS**



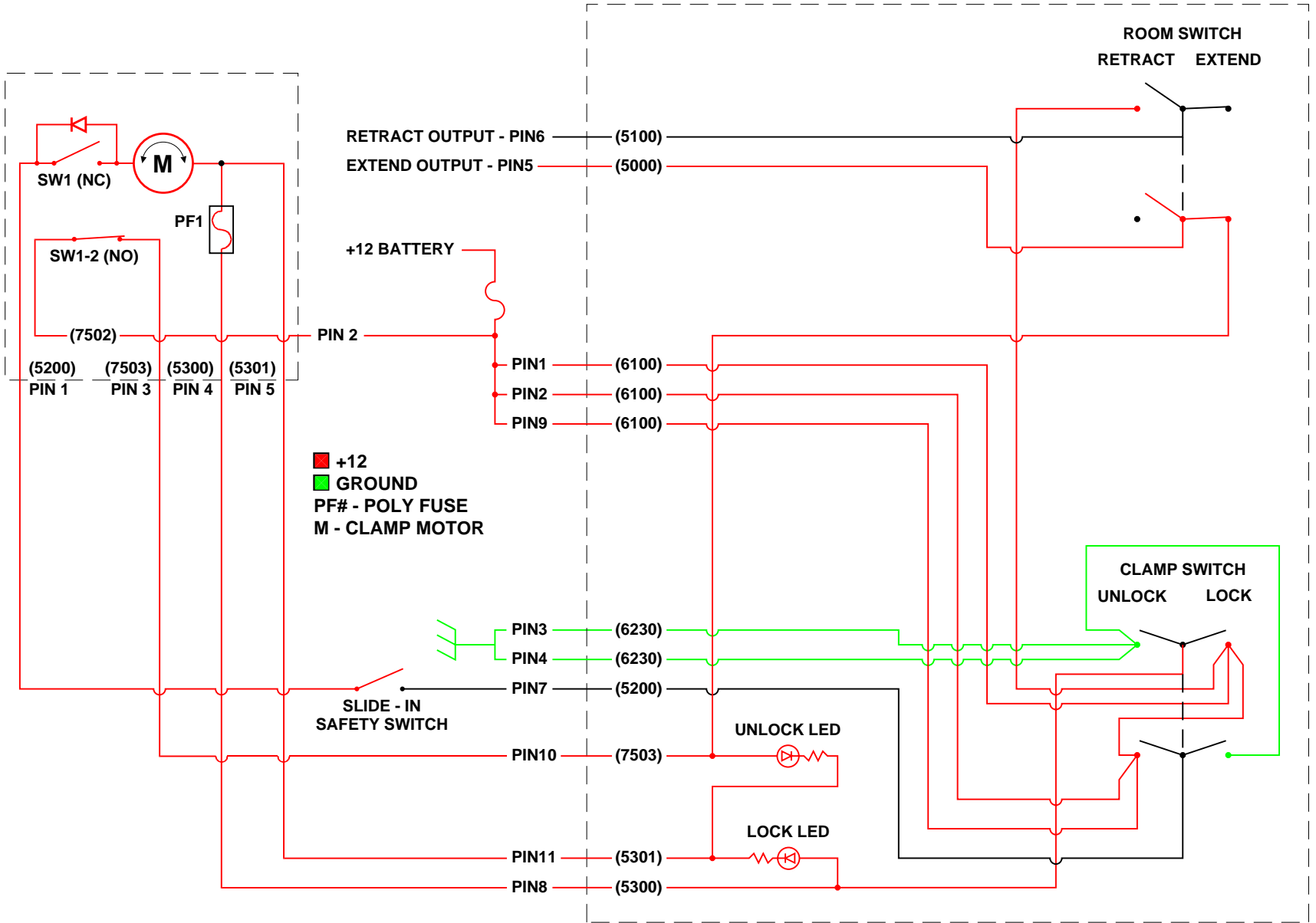
**SW1 CLOSED UNTIL CLAMP IS FULLY RETRACTED**  
**SW1-2 OPEN UNTIL CLAMP IS FULLY RETRACTED**  
**SLIDE - IN SWITCH CLOSED WITH ROOM FULLY RETRACTED**

ROOM RETRACTED  
 CLAMP SWITCH PUSHED TO "UNLOCK"  
 CLAMP FULLY RETRACTED  
 "UNLOCKED" LED ON



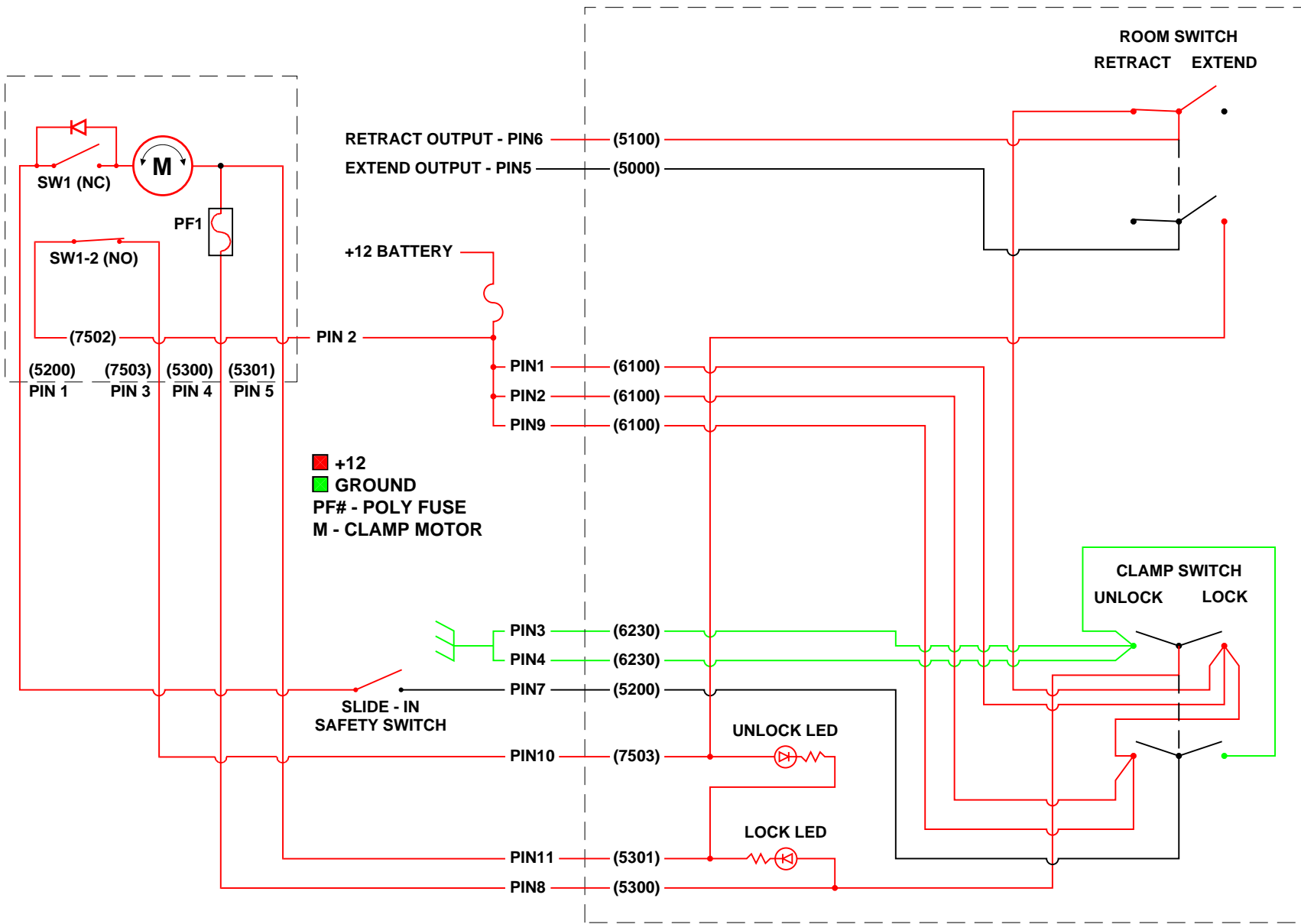
SW1 OPEN WITH CLAMP FULLY RETRACTED  
 SW1-2 CLOSED WITH CLAMP FULLY RETRACTED  
 SLIDE - IN SWITCH CLOSED WITH ROOM FULLY RETRACTED

CLAMP RETRACTED  
 ROOM SWITCH PUSHED TO EXTEND  
 ROOM EXTENDING



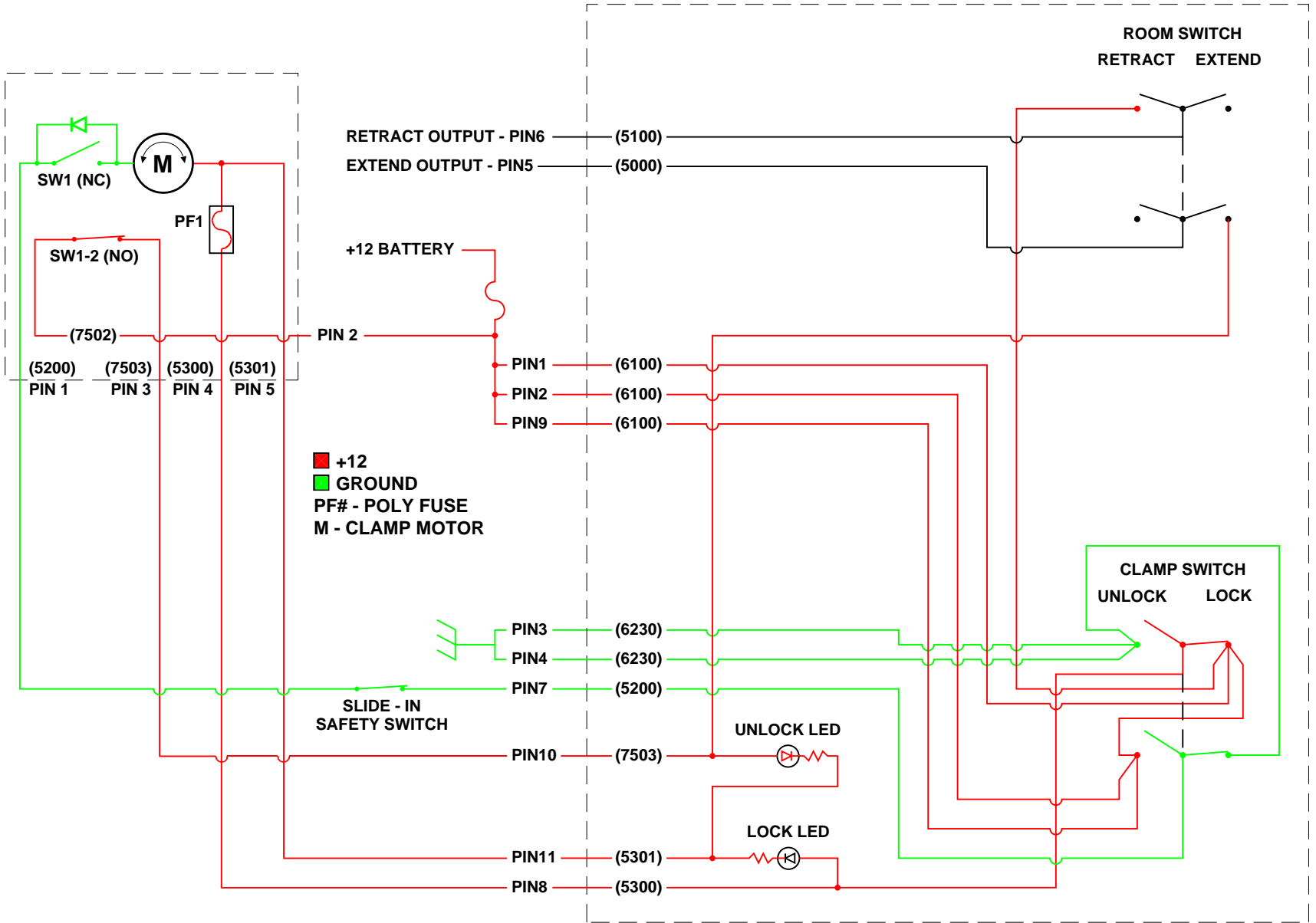
SW1 OPEN WITH CLAMP RETRACTED  
 SW1-2 CLOSED WITH CLAMP RETRACTED  
 SLIDE - IN SWITCH OPENS AS ROOM STARTS TO EXTEND

CLAMP RETRACTED  
 ROOM EXTENDED  
 ROOM SWITCH PUSHED TO RETRACT  
 ROOM RETRACTING



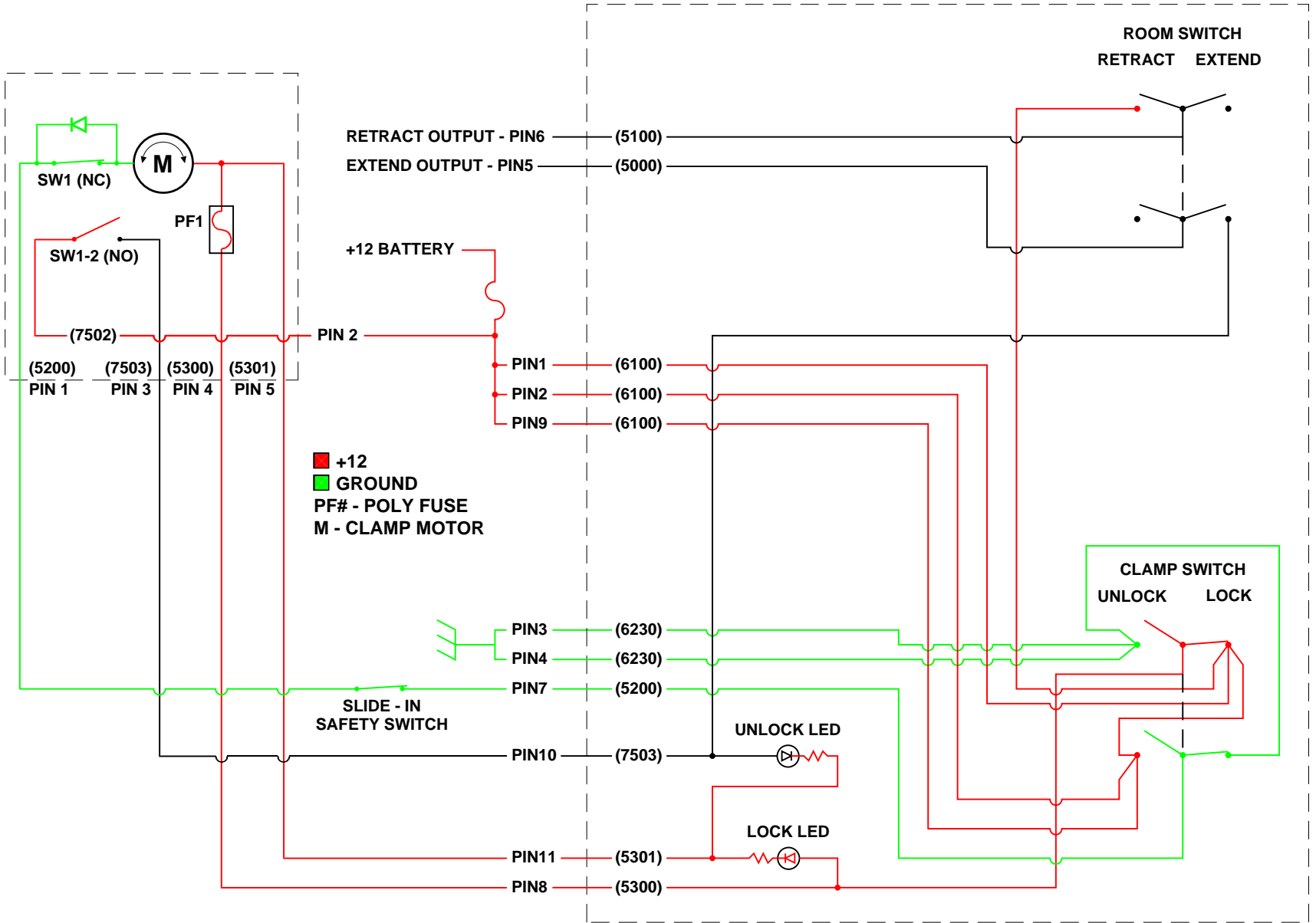
SW1 OPEN WITH CLAMP RETRACTED  
 SW1-2 CLOSED WITH CLAMP RETRACTED  
 SLIDE - IN SWITCH OPEN WITH ROOM EXTENDED

ROOM FULLY RETRACTED  
 CLAMP SWITCH PUSHED TO "LOCK"  
 CLAMP STARTING TO EXTEND



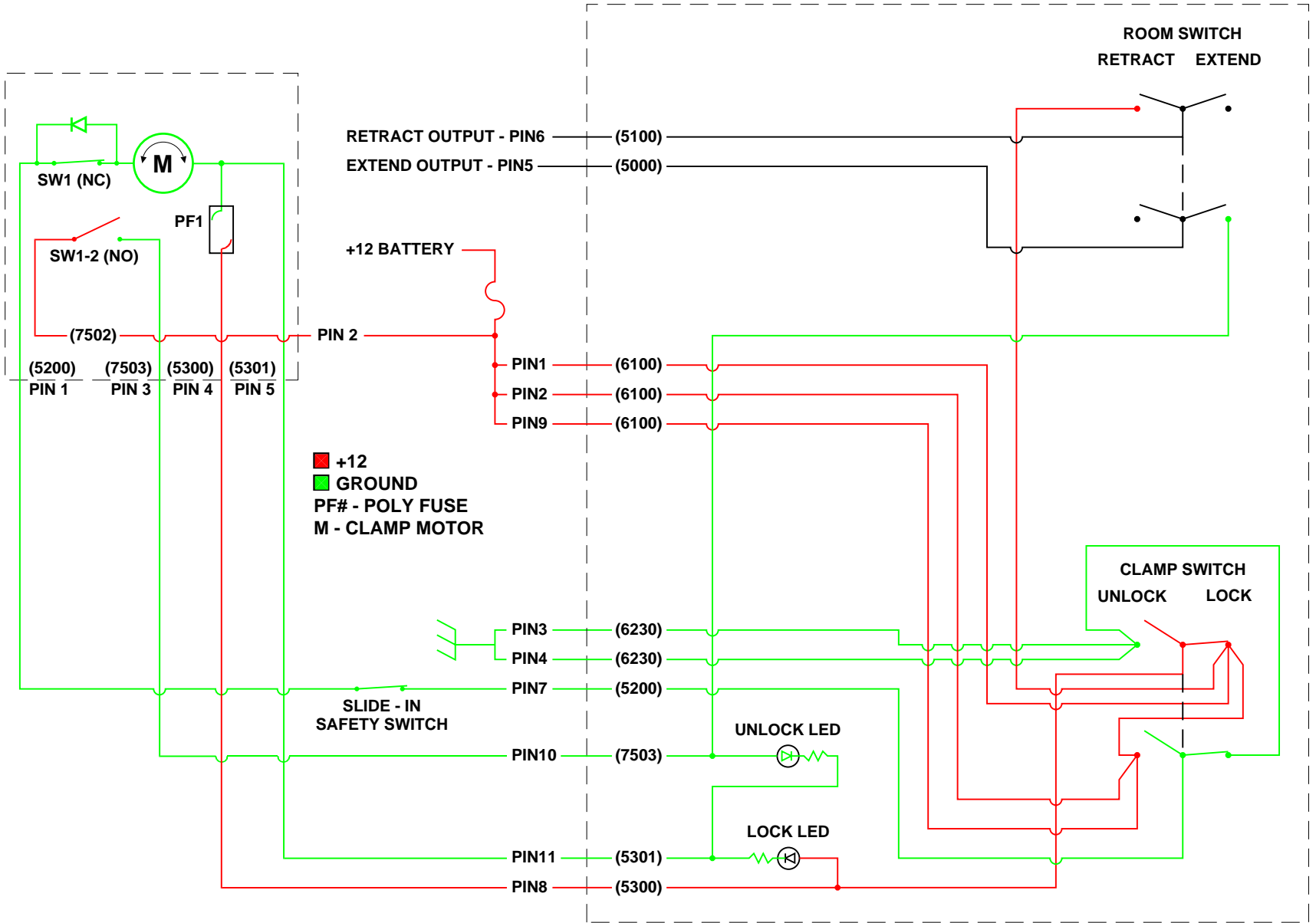
SW1 WILL CLOSE AS THE CLAMP STARTS TO EXTEND  
 SW1-2 WILL OPEN AS THE CLAMP STARTS TO EXTEND  
 SLIDE - IN SWITCH IS CLOSED WITH THE ROOM RETRACTED

ROOM FULLY RETRACTED  
CLAMP SWITCH PUSHED TO "LOCK"  
CLAMP EXTENDING



SW1 CLOSED WITH CLAMP EXTENDED  
SW1-2 OPEN WITH CLAMP EXTENDED  
SLIDE - IN SWITCH CLOSED WITH ROOM RETRACTED

ROOM FULLY RETRACTED  
 CLAMP SWITCH PUSHED TO "LOCK"  
 CLAMP FULLY EXTENDED  
 "LOCKED" LED ON



SW1 CLOSED WITH CLAMP EXTENDED  
 SW1-2 OPEN WITH CLAMP EXTENDED  
 SLIDE - IN SWITCH CLOSED WITH ROOM RETRACTED